

# Setup Guide — VSW 2VGA A

This guide provides basic instructions for an experienced installer to set up and operate the Extron VSW 2VGA A.

**IMPORTANT:**  
Refer to [www.extron.com](http://www.extron.com) for the complete user manual and installation instructions before connecting the product to the power source.

## Installation

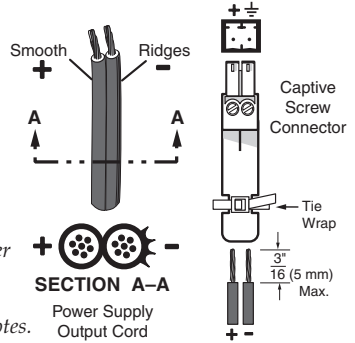
### Step 1 — Mount the unit

Turn off or disconnect all equipment power sources and mount the switcher (if applicable) in a rack shelf, under furniture, or through furniture. See the user's manual for details.

### Step 2 — Power connector wiring

Wire the power connector as shown to the right.

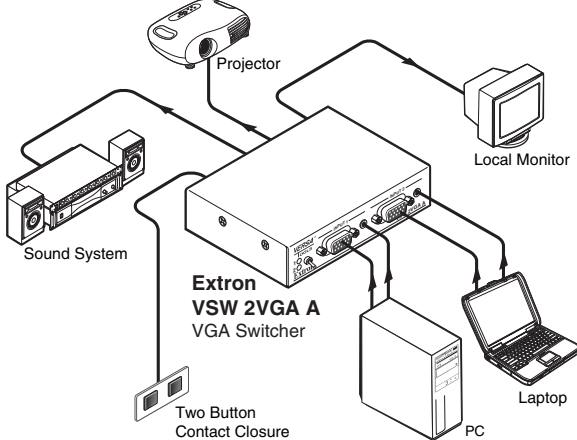
**CAUTION** When connecting the power supply, voltage polarity is extremely important. Applying power with incorrect voltage polarity could damage the power supply an dhte VSW 2VGA A. See the user's manual for additional cautions and notes.



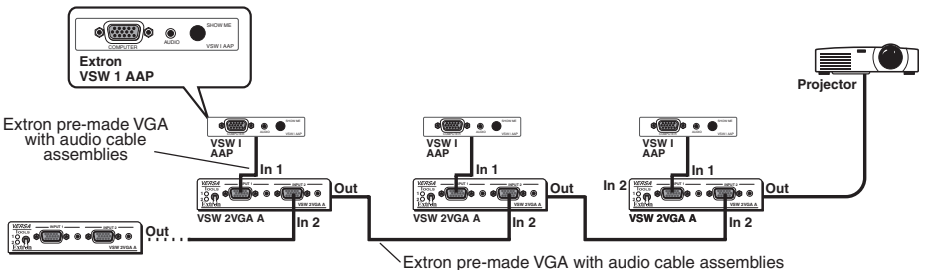
### Step 3 — Example configurations

The switcher can be configured in a single switcher or a daisy chained configuration.

**NOTE** The Extron VSW I AAP interface can be used in conjunction with the switcher. See the user manual for details.



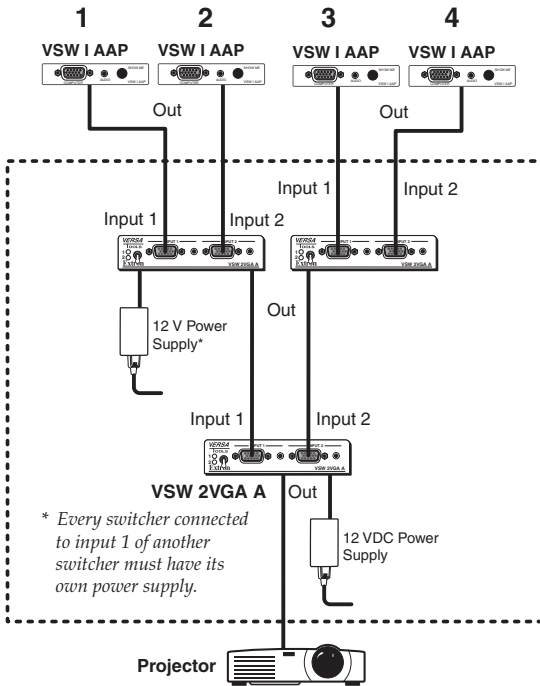
### Single switcher configuration



### Multiple switcher daisy chain: loop configuration

(Continued on reverse side)

# Setup Guide — VSW 2VGA A



## Multiple switcher daisy chain: tree configuration

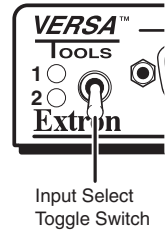
### Step 4 — Input selection

The switcher's inputs are selected using the front panel's Input Select toggle switch (shown on the right) or the rear panel's 3-pole Contact closure/Autoswitching captive screw connector (shown below).

**NOTE** Move the Input Select toggle switch up to select input 1; move it down to select input 2.



AUTO-SW



Connect a contact closure device to this captive screw connector.

- Pin 1 selects input 1 when momentarily connected to ground (pin 3).
- Pin 2 selects input 2 when momentarily connected to ground (pin 3).
- Pin 3 connects to the ground wire (equipment ground).

**NOTE** Simultaneously connecting both pins 1 and 2 to ground (pin 3) using a contact closure device turns autoswitching mode on. The Input Select toggle switch is disabled in Autoswitch mode.

Extron **USA - West**  
Headquarters  
+800.633.9876  
Inside USA / Canada Only  
+1.714.491.1500  
+1.714.491.1517 FAX

Extron **USA - East**  
+800.633.9876  
Inside USA / Canada Only  
+1.919.863.1794  
+1.919.863.1797 FAX

Extron **Europe**  
+800.3987.6673  
Inside Europe Only  
+31.33.453.4040  
+31.33.453.4050 FAX

Extron **Asia**  
+800.7339.8766  
Inside Asia Only  
+65.6383.4400  
+65.6383.4664 FAX

Extron **Japan**  
+81.3.3511.7655  
+81.3.3511.7656 FAX

Extron **China**  
+400.883.1568  
Inside China Only  
+86.21.3760.1568  
+86.21.3760.1566 FAX

Extron **Middle East**  
+971.4.2991800  
+971.4.2991880 FAX

68-1111-50  
Rev. A  
04 09